



Orlando Reiko Kaneko

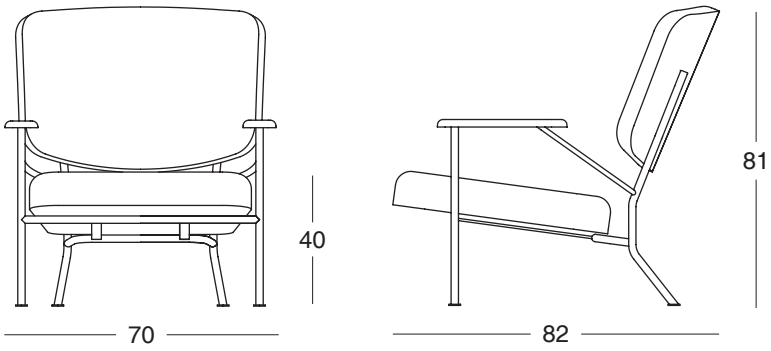
This design has a small footprint, yet noticeably generous proportions and sits low on the floor. The frame has a gentle curving detail between the back and arm rests. A small amount of flex in the back of the frame adds to its comfort.

The tubular steel frame is available in a black powder coated or chrome plated finish, with walnut or oak armrests. Featuring an upholstered backrest and a webbed beech seat base with a feather and foam cushion on an upholstered pad.

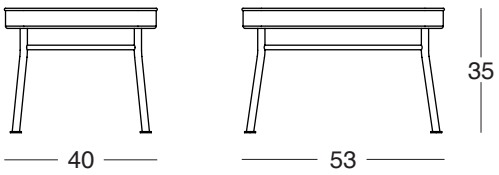
Made in Norfolk, UK.



1



2



Orlando

Reiko Kaneko

- 1 Lounge chair
- 2 Ottoman